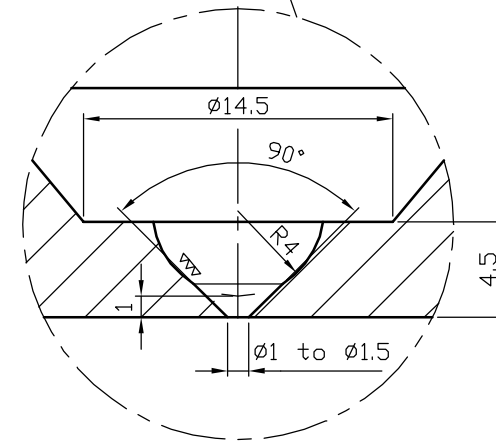
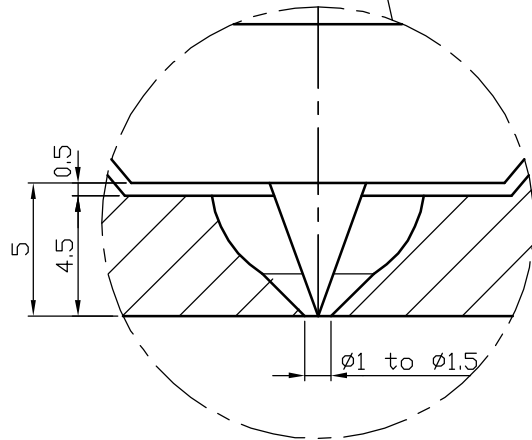
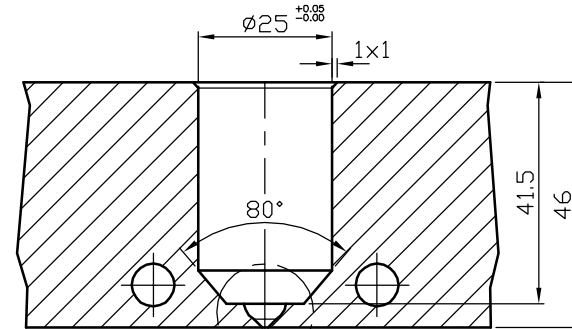
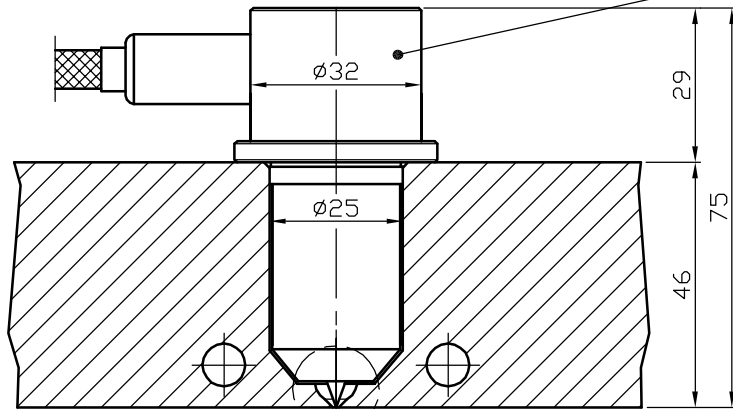


# PZ101G/32X75

BLACK AND BALCK = POWER  
 RED AND WHITE = THERMOCOPL TYPE J  
 GREEN = EARTH  
 330 WATT AND 230 V



NOZZLE: PZ101G/32X75

Scale:

Date : / /

## PAYA SANAT

**HOT RUNNER SYSTEMS**

[www.ps-hotrunner.com](http://www.ps-hotrunner.com)

Tel/Fax: 021- 56714260 - 56714269 - 56714289